

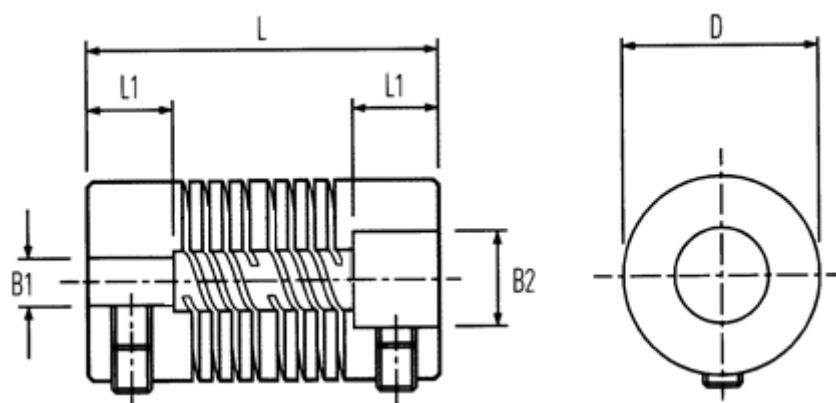
# Data Sheet



Article number: 339706380000

Description: Multibeam 6 Coupling 706.38.0000  
Aluminium relieved & set screw hubs

## Measures



B1: Pre-drilled	= 8.0	Peak Torque NM = 22.00
B2: Pre-drilled	= 12.00	Set Screw = M6
D	= 38.1	
L	= 66.7	
L1	= 18.0	
Max angular displacement	= 0.60	
Max B1 & B2	= 22.00	
Max parallel displacement	= 7	